



1332 Series

Applications

- Shutoff security systems that work with temperature limits, pressure, lack of flame, level, etc., in boiler combustion systems.
- Combustion equipment with charges over 30,000 Kw/h and multiple burners.
- Burners for automatic and semiautomatic furnaces.

Main characteristics

Normally closed.
 Direct acting. No minimum differential pressure to operate.
 “Free handle” system, i.e., it closes automatically when current is cut off and opens manually when the electric signal is on.
 Injected or cast aluminium body.
 DIN 43650 Connection encapsulated coils.
 Acryl-nitril seat.
 IP65 and NEMA 4 Protection.
 Closed or open valve viewer.

360° Rotating housing.
 Response time < 50 milliseconds.

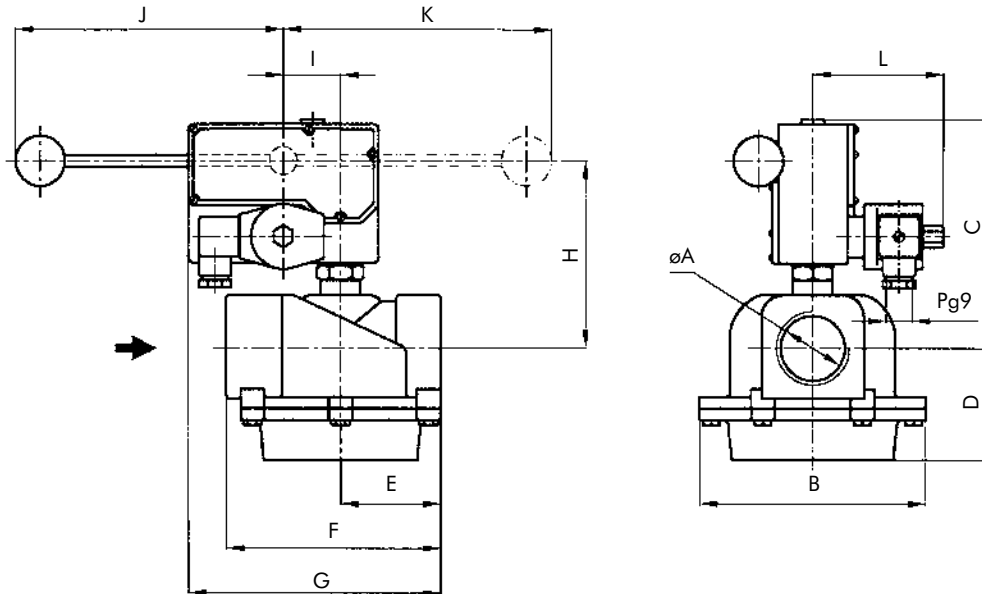
Options:

- Energized coil indicator light.
- Weather proof coils and housings.
- Explosion and / or weather proof coils and housings.
- Closed valve verification

Technical specifications

Ø Pipe ins.	Ø Orifice		Flow factor		Δp Maximum		Weight		Maximum Temp.		Catalog Nº.
	mm	ins.	Kv	Cv	Bar	Psi	Kg	Lb	°C	°F	
1"	26	1.02	13	15	3	45	2.3	5.1	80	176	1332LA08
1.1/4"	32	1.26	22	26			3.3	7.3			1332LA10
1.1/2"	48	1.89	30	35	2	30	3.1	6.8			1332LA12
2"	51	2.00	55	64			6.2	13.7			1332LA16
2 1/2"	76	3.00	60	70	1	15	6.0	13.2			1332LA20
3"	76	3.00	76	89							1332LA24

General dimensions 1332



øA	B	C	D	E	F	G	H	I	J	K	L
1"	124	133	87	79	157	183	104	39	190	190	90
1.1/2"	154	157	76	68	146	173	128	39	190	190	90
2"											
2.1/2"	163	190	135	112	224	-	162	39	190	190	90
3"											

Measurements: mm.

øA	B	C	D	E	F	G	H	I	J	K	L
1"	4.88	5.24	3.43	3.11	6.18	7.20	4.09	1.54	7.48	7.48	3.54
1.1/2"	6.6	6.18	2.99	2.68	0.23	6.81	5.04	1.54	7.48	7.48	3.54
2"											
2.1/2"	6.42	7.48	5.31	4.41	8.82	-	6.38	1.54	7.48	7.48	3.54
3"											

Measurements: ins.

Coil characteristics

Electric power supply	Coil type	Power W	VA (volt-ampere)		Maximum temperature		Available tensions
			Inrush	Holding	° C	° F	
AC 50 Hz	MF11C	11	40	22	155	311	1
	MH11C	11	40	22	180	356	1
AC 60 Hz	MF13C	13	45	27	155	311	2
	MH13C	13	45	27	180	356	2
D/C	MH19C	19	19	19	180	356	3

1-(12,24,110,220,240)V 2-(12,24,110,120,220,240)V 3-(12,24,110,220)V

Special constructions

- It closes automatically as soon as it receives the electric signal. It opens manually and it is reset only when the electric signal is off.
- Normally open.

Options	Prefix	Suffix	Examples
Water, weather and saline corrosion proof coils.	YC		YC1332LA12
Explosion and weather proof coils.	ZC		ZC1332LA12
Weather proof housing.	Y		Y1332LA12
Explosion and weather proof housing.	Z		Z1332LA12
NPT connections		T	1332LA12T
Closed valve verification		-I	1332LA12-I
Energized coil indicator light		See coils.	

Recommendations for installation

Place a strainer upstream the valve with aporosity ≤ 50 μ. Preferably over horizontal pipeline with the coil upright.