



**1335 Series**

**Main characteristics**

Normally closed and normally open.  
BSP or NPT threaded connections.  
Forged brass, stainless steel body.  
Plastic or metal core diaphragm.  
Core tube SS. 304 and 316.  
Plunger and fixed core: SS. 430 F.  
Shading coil: copper, silver or aluminium.

**Applications:**

- Washing machines.
- Lubricated air, hot air, dry air, etc.
- Oxygen and acetylene equipments.
- Fuel oil and gas burners.
- Vacuum systems.

Encapsulated plug-in coils. Shape A DIN 43650 connection.  
IP65 and NEMA4 Protection.

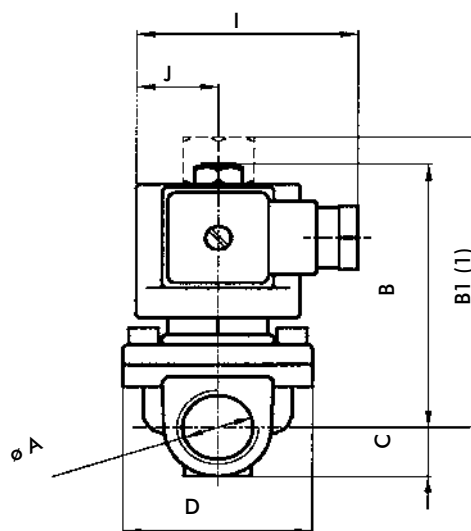
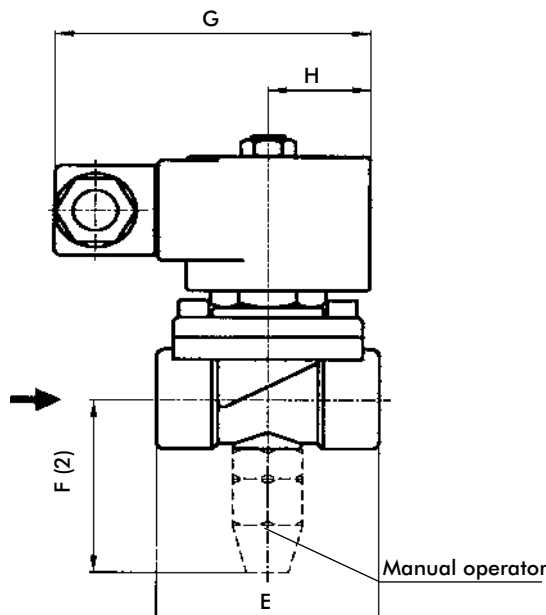
**Options:**

- Energized coil indicator light.
- Explosion and / or weather coils and housings.
- Manual operator.

**Technical specifications - Brass body**

Pipe size ins.	Orifice size		Flow factor		Weight		Pressure minimum		Pressure maximum AC		Pressure maximum DC		Maximum temp. and catalog N° according to seat material.			
	mm	ins	Kv	Cv	Kg	Lb	bar	psi	bar	psi	bar	psi	Buna "N"	Neoprene	EPDM	FKM
													80 °C / 176 °F	80 °C / 176 °F	+145 °C / 293 °F	+150 °C / 302 °F
<b>Direct acting-Normally closed</b>																
3/8"	14	0.55	2.35	2.75	0.8	1.75	0	0	0.2	3	0.1	1.5	1335BA3D	1335BN3D	1335BE3D	1335BV3D
1/2"	14	0.55	2.65	3.1	0.8	1.75	0	0	0.2	3	0.1	1.5	1335BA4D	1335BN4D	1335BE4D	1335BV4D
3/4"	18	0.71	4.3	5.03	0.9	2.0	0	0	0.2	3	0.1	1.5	1335BA6D	1335BN6D	1335BE6D	1335BV6D
3/8"	8	0.31	1.7	2	0.8	1.75	0	0	1	15	0.7	10	1335BA083D	1335BN083D	1335BE083D	1335BV083D
1/2"	8	0.31	1.7	2	0.8	1.75	0	0	1	15	0.7	10	1335BA084D	1335BN084D	1335BE084D	1335BV084D
3/4"	8	0.31	1.7	2	0.9	2	0	0	1	15	0.7	10	1335BA086D	1335BN086D	1335BE086D	1335BV086D
<b>Floating diaphragm-Normally closed</b>																
3/8"	14	0.55	2.35	2.75	0.8	1.75	0.1	1.5	10	150	6	90	1335BA3	1335BN3	1335BE3	1335BV3
1/2"	14	0.55	2.65	3.1	0.8	1.75	0.1	1.5	10	150	6	90	1335BA4	1335BN4	1335BE4	1335BV4
3/4"	18	0.71	4.3	5.03	0.9	2	0.1	1.5	10	150	6	90	1335BA6	1335BN6	1335BE6	1335BV6
<b>Hung diaphragm-Normally closed</b>																
3/8"	14	0.55	2.35	2.75	0.8	1.75	0	0	7	105	6	90	1335BA3A	1335BN3A	1335BE3A	1335BV3A
1/2"	14	0.55	2.65	3.1	0.8	1.75	0	0	7	105	6	90	1335BA4A	1335BN4A	1335BE4A	1335BV4A
3/4"	18	0.71	4.3	5.03	0.8	2	0	0	7	105	6	90	1335BA6A	1335BN6A	1335BE6A	1335BV6A
<b>Floating diaphragm-Normally open</b>																
3/8"	14	0.55	2.35	2.75	0.8	1.75	0.1	1.5	10	150	10	150	1335BA3INA	1335BN3INA	1335BE3INA	1335BV3INA
1/2"	14	0.55	2.65	3.1	0.8	1.75	0.1	1.5	10	150	10	150	1335BA4INA	1335BN4INA	1335BE4INA	1335BV4INA
3/4"	18	0.71	4.3	5.03	0.9	2	0.1	1.5	10	150	10	150	1335BA6INA	1335BN6INA	1335BE6INA	1335BV6INA
<b>Direct acting-Normally open</b>																
3/8"	8	0.31	1.7	2	0.8	1.75	0	0	1	15	1	15	1335BA083DINA	1335BN083DINA	1335BE083DINA	1335BV083DINA
1/2"	8	0.31	1.7	2	0.8	1.75	0	0	1	15	1	15	1335BA084DINA	1335BN084DINA	1335BE084DINA	1335BV084DINA
3/4"	8	0.31	1.7	2	0.9	2	0	0	1	15	1	15	1335BA086DINA	1335BN086DINA	1335BE086DINA	1335BV086DINA
3/8"	14	0.55	2.35	2.75	0.8	1.75	0	0	0.2	3	0.1	1.5	1335BA3DINA	1335BN3DINA	1335BE3DINA	1335BV3DINA
1/2"	14	0.55	2.65	3.1	0.8	1.75	0	0	0.2	3	0.1	1.5	1335BA4DINA	1335BN4DINA	1335BE4DINA	1335BV4DINA
3/4"	18	0.71	4.3	5.03	0.9	2	0	0	0.2	3	0.1	1.5	1335BA6DINA	1335BN6DINA	1335BE6DINA	1335BV6DINA

**General dimensions 1335** (1) Normally open version - (2) Manual operator (optional)



Brass	øA	B	B1	C	D	E	F	G	H	I	J
	R 3/8"	80	88	15	51	60	53	85	26	57	22
	R 1/2"										
R 3/4"											
AISI 304	R 1/2"	82	90	17	58	72	55				
	R 3/4"										

Measurements: mm

Brass	øA	B	B1	C	D	E	F	G	H	I	J
	R 3/8"	3.15	3.46	0.59	2.01	2.36	2.09	3.35	1.02	2.24	0.87
	R 1/2"										
R 3/4"											
AISI 304	R 1/2"	3.23	3.54	0.67	2.28	2.83	2.17				
	R 3/4"										

Measurements: ins.

**Special constructions**

- Investment cast AISI316 Body (only 1/2" and 3/4").  
Change letter **B** for **I** to Catalog N<sup>o</sup>.  
Example: 1335IV4; 1335IV6.
- Vacuum systems: consult **JEFFERSON**.

**Coil characteristics**

Electric power supply	Coil type	Power W	VA (volt-ampere)		Maximum temperature		Available tensions
			Inrush	Holding	° C	° F	
AC 50 Hz	MF11C	11	47	18	155	311	1
	MH11C	11	47	18	180	356	1
AC 60 Hz	MF13C	13	57	23	155	311	2
	MH13C	13	57	23	180	356	2
DC	MH19C	19	19	19	180	356	3

1-(12,24,110,220,240)V 2-(12,24,110,120,220,240)V 3-(12,24,110,220)V

Options	Prefix	Suffix	Examples
Water, weather and saline corrosion proof coils.	<b>YC</b>		<b>YC1335BN4A</b>
Explosion and weather proof coils.	<b>ZC</b>		<b>ZC1335BA4A</b>
Weather proof housing.	<b>Y</b>		<b>Y1335BA4A</b>
Explosion and weather proof housing.	<b>Z</b>		<b>Z1335BA4A</b>
Manual operator: on the main orifice	<b>(*)</b>	<b>- M</b>	<b>1335BA4A-M</b>
NPT connections		<b>T</b>	<b>1335BA4AT</b>
Oxygen		<b>-O</b>	<b>1335BN43-O</b>
Energized coil indicator light		See coils.	

(\*) Only NC versions

**Recommendations for installation**

Place a strainer upstream the valve with a porosity ≤ 100µ. Install the valve in any position, preferably over horizontal pipeline with the coil upright.

**Application according to seat material.**

Seat material	Buna "N"	Neoprene	EPDM	FKM
Maximum temperature	+80 °C / 176 °F	+80 °C / 176 °F	+145 °C / 293 °F	+150 °C / 302 °F
Uses	Water, air, light oils. Neutral gases. Kerosene. Low and medium vacuum	Oxygen, alcohol, argon, other non-corrosive light gases and liquids. Freon 12.	Water steam, hot water, acetone.	Benzene, naphta, aromatics, benzene, etc. Hot gases. High vacuum. Diesel oil.