



**1356 "T" Series**



**1356 "S" Series**

**Applications**

- Burners for fuel oil (preheated or not) and its mixtures, gas-oil, etc., with mechanical pressure atomizer, rotating cup, compressed air, steam, etc.
- Heavy fluids, steam, corrosive fluids

**Main characteristics**

Normally closed.  
Direct acting. No minimum differential pressure to operate.  
Body: bronze, stainless steel, etc..  
BSP or NPT threaded connections.  
Stainless steel type closure (s).

PTFE seat closure (t).

Class H coil coated with glass fibre and isolating impregnation. Output cables for splicing (s version). Encapsulated coil. Shape A DIN 43650 connection (t version).  
Internal use housing with an outlet for electric connector (s version).

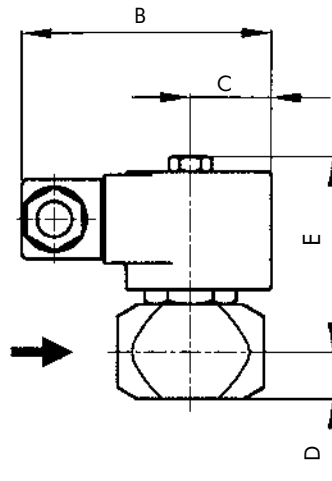
**Options:**

- Explosion and weather proof coils and housings.
- It may be used for heavy fluids such as fuel oil, heavy oils, steam and corrosive fluids.

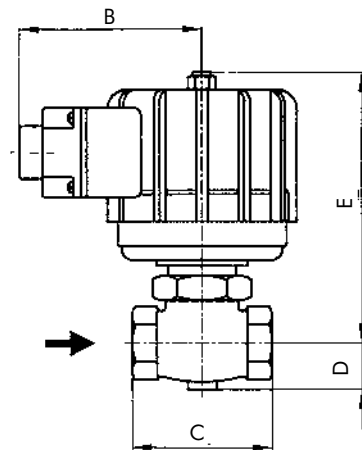
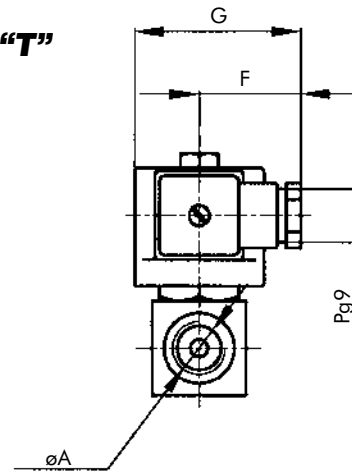
**Technical specifications**

Ø Pipe ins.	Ø Orifice		Flow factor		Operating pressure differential				Power W		Weight		Version	Catalog N°
	mm	ins.	Kv	Cv	Minimum		Maximum		50 Hz	60 Hz	kg	Lb		
					bar	psi	bar	psi						
3/8"	2.5	0.088	0.17	0.20	0	20	300	18	16	0.72	1.6	T	1356BT3	
1/2"	2.5	0.088	0.17	0.20		20	300	46		0.68	1.5	T	1356BT4	
1/2"	5	0.197	0.60	0.70		10	150			3.10	6.8	S	1356BS4-48	

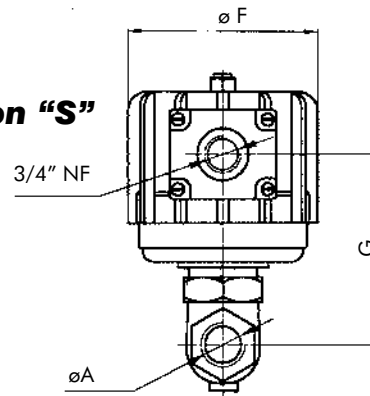
**General dimensions 1356 (t) - 1356 (s)**



**Version "T"**



**Version "S"**



**1356 "T"**

Version	øA	B	C	D	E	F	G
T	R3/8"	85	27	16	67	35	57
T	R1/2"						

Measurements: mm

**1356 "T"**

Version	øA	B	C	D	E	F	G
T	R3/8"	3.35	1.06	0.63	2.64	1.38	2.24
T	R1/2"						

Measurements: ins.

**1356 "S"**

Version	øA	B	C	D	E	F	G
S	R1/2"	95	73	24	142	99	98

Measurements: mm

**1356 "S"**

Version	øA	B	C	D	E	F	G
S	R1/2"	3.74	2.87	0.94	5.59	3.90	3.86

Measurements: ins.

**Coil characteristics**

Electric power supply	Version	Coil type	Power W	VA (volt-amp)		Maximum temperature		Available tensions
				Inrush	Holding	° C	° F	
AC 50 Hz	T	MH18C	18	61	39	155	311	1
		M18H(*)	18	61	39	180	356	1
		MH16C	16	48	29	155	311	2
		M16H(*)	16	48	29	180	356	2
AC 50 Hz	S	SH46C	46	277	104	155	311	1
		S46H(*)	46	277	104	180	356	1
		SH46C	46	286	103	155	311	2
		S46H(*)	46	286	103	180	356	2

(\*) For Steam. 1-(12,24,110,220,240)V 2-(12,24,110,120,220,240)V

Options	Prefix	Suffix	Examples
Weather proof housing	<b>Y</b>		Y1356BT3
Explosion and weather proof housing	<b>Z</b>		Z1356BT3
NPT connections		<b>T</b>	1356BT3T

**Recommendations for installation**

- Place a strainer upstream the valve.
- "T" version: Installation: any position. Preferably over horizontal pipeline with the coil upright.
- "S" version: Installation: **only** over horizontal pipeline with the coil upright.