



**Applications:**

- For the control of single acting cylinders and diaphragms.
- Also suitable for fluids selection and diversion systems.
- Dry air, gas, water, light oils.
- Instrumentation, lubrication devices, robots, pilot operators.

**Main characteristics**

3 Ways, 2 positions, normally closed, normally open or universal.

Direct action. No minimum differential pressure to operate.

Body: brass, iron, stainless steel, etc.

BSP or NPT 1/4" 3 way connections in body.

Seals: Buna N, FKM and EPDM.

Core tube SS. 304 and 316.

Plunger and fixed core: SS. 430 F.

Shading coil: copper, silver or aluminium

Shape A DIN 43650 connection encapsulated coils.

IP65 and NEMA 4 protection

Approximate weight: 0.6 kg / 1.3 Lb.

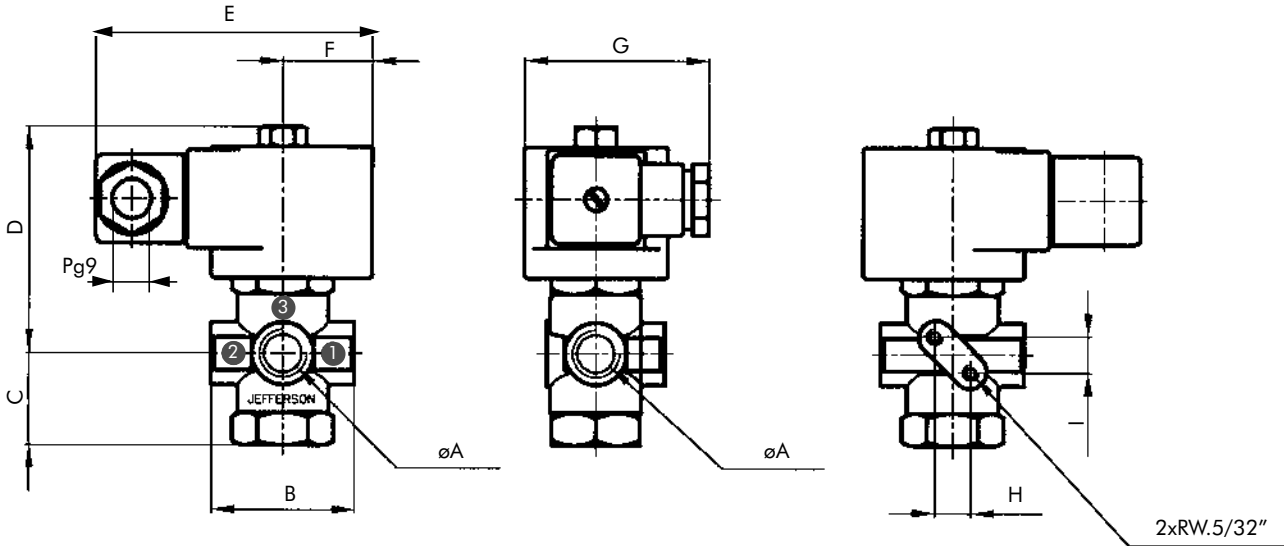
**Options:**

- Energized coil indicator light.
- Explosion and/or weather proof coils and housings.
- Manual operator.

**Technical specifications**

Ø Orifice		Flow factor		Δp maximum								Maximum temp. and catalog N° according to seat material			
mm	ins.	Kv	Cv	NC		NA		DIV		CONV		Buna "N" 80 °C / 176 °F	Neoprene 80 °C / 176 °F	EPDM 145 °C / 293 °F	FKM 150 °C / 302 °F
				bar	psi	bar	psi	bar	psi	bar	psi				
<b>"C" Construction</b>															
1.75	0.07	0.08	0.09	15	225	3	45	20	300	3	45	1365BA17C	1365BN17C	1365BE17C	1365BV17C
2.25	0.09	0.12	0.14	11	165	1.5	22	15	225	1.5	22	1365BA22C	1365BN22C	1365BE22C	1365BV22C
3.00	0.12	0.21	0.25	6	90	0.5	7.5	10	150	0.5	7.5	1365BA30C	1365BN30C	1365BE30C	1365BV30C
4.00	0.16	0.30	0.35	3	45	-	-	5	75	-	-	1365BA40C	1365BN40C	1365BE40C	1365BV40C
<b>"A" Construction</b>															
1.75	0.07	0.08	0.09	1.5	22	14	210	10	150	1.5	22	1365BA17A	1365BN17A	1365BE17A	1365BV17A
2.25	0.09	0.12	0.14	1.2	18	10.5	157	5	75	1.2	18	1365BA22A	1365BN22A	1365BE22A	1365BV22A
3.00	0.12	0.21	0.25	1	15	5	75	3	45	1	15	1365BA30A	1365BN30A	1365BE30A	1365BV30A
4.00	0.16	0.30	0.35	-	-	3	45	1	15	-	-	1365BA40A	1365BN40A	1365BE40A	1365BV40A
<b>"U" Construction</b>															
1.75	0.07	0.08	0.09	9	135	8	120	15	225	8	120	1365BA17U	1365BN17U	1365BE17U	1365BV17U
2.25	0.09	0.12	0.14	7	105	7	105	8	120	7	105	1365BA22U	1365BN22U	1365BE22U	1365BV22U
3.00	0.12	0.21	0.25	4	60	3.5	52	6	90	3.5	52	1365BA30U	1365BN30U	1365BE30U	1365BV30U
4.00	0.16	0.30	0.35	1.5	22	1.5	22	4	60	1.5	22	1365BA40U	1365BN40U	1365BE40U	1365BV40U

**General dimensions 1365**



øA	B	C	D	E	F	G	H	I
R1/4"	44	29	70	85	27	57	11	10

Measurements: mm

øA	B	C	D	E	F	G	H	I
R1/4"	0.94	1.14	1.76	3.35	1.06	2.24	0.43	0.39

Measurements: ins.

**Special constructions**

- AISI 304: change letter **B** for **S** in the catalog N<sup>o</sup>.  
Example: 1365SA302C
- AISI 316: change letter **B** for **I** in the catalog N<sup>o</sup>.  
Example: 1365IA302C.

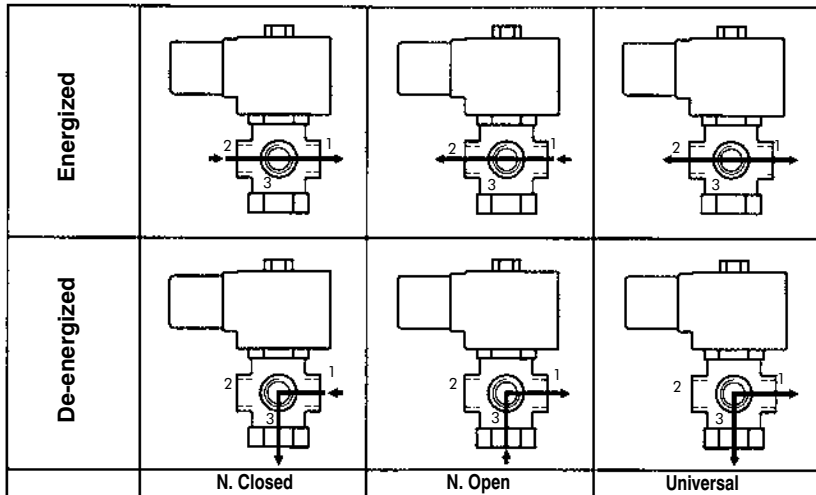
Options	Prefix	Suffix	Examples
Water, weather and saline corrosion proof coils.	<b>YC</b>		<b>YC1365BA17C</b>
Explosion and weather proof coils.	<b>ZC</b>		<b>ZC1365BA17C</b>
Weather proof housing.	<b>Y</b>		<b>Y1365BA17C</b>
Explosion and weather proof housing.	<b>Z</b>		<b>Z1365BA17C</b>
Manual operator: on the main orifice		<b>- M</b>	<b>1365BA17C-M</b>
NPT connections		<b>T</b>	<b>1365BA17CT</b>
Energized coil indicator light		See coils.	

**Coil characteristics**

Electric power supply	Coil type	Power W	VA (volt-ampere)		Maximum temperature		Available tensions
			Inrush	Holding	°C	°F	
AC 50 Hz	MF11C	11	40	22	155	311	1
	MH11C	11	40	22	180	356	1
AC 60 Hz	MF13C	13	45	27	155	311	2
	MH13C	13	45	27	180	356	2
DC	MH19C	19	19	19	180	356	3

1-(24, 110, 220)V    2-(24, 110, 120, 240)V    3-(12, 24, 110, 220)V

**Flow diagrams**



**Recommendations for installation**

Place a strainer upstream the valve with a porosity ≤ 100 μ.  
Installation: in any position, preferably over horizontal pipeline with the coil upright.